

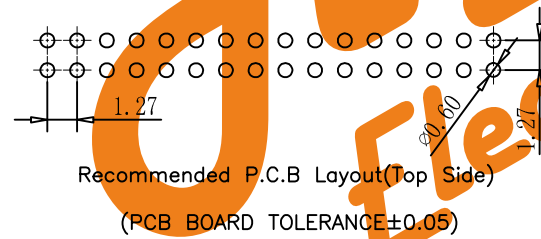
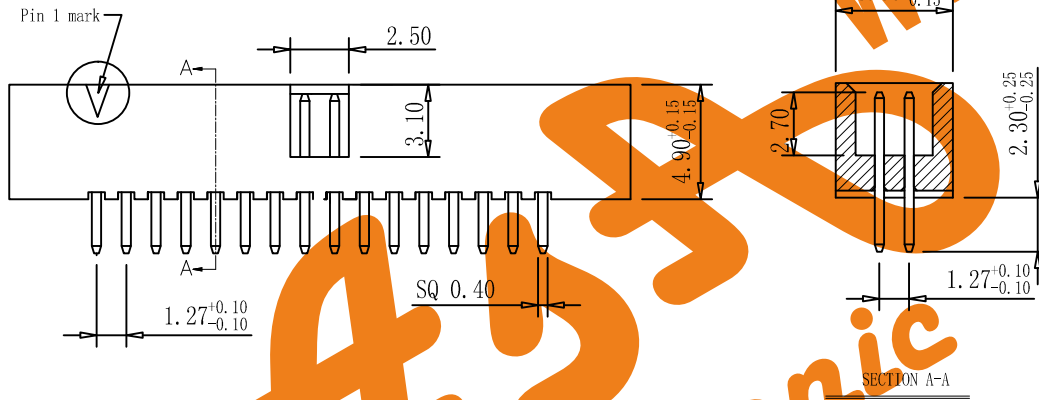
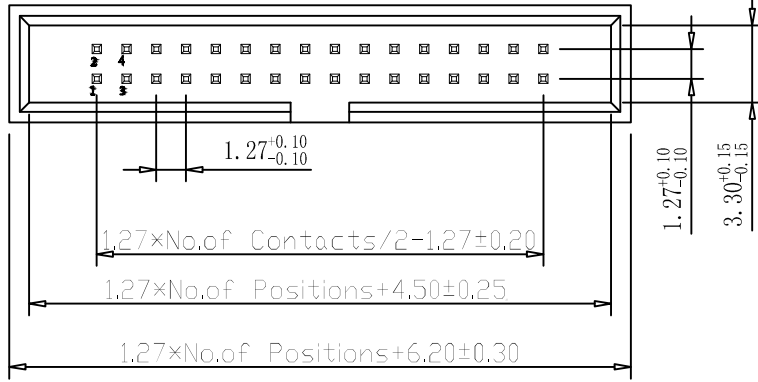
SPECIFICATION

Current Rating: 1Amp
 Insulation Resistance: 1000MΩ min
 Contact Resistance: 20MΩ max
 Withstand Voltage: 500V AC/DC
 Operating Temperature: -40°C to +105°C
 Contact Material: Brass
 Contact Plating: Au or Sn Over Ni
 Insulator Material: PA6T+30%GF UL 94V-0

Ordering Code:

BHAS01 - X - X - X - X
 ① ② ③ ④ ⑤ ⑥

- | | |
|---|---|
| <p>① Series No:</p> <p>② No. of Contacts</p> <p style="margin-left: 20px;">06 08 10 14 16
20 24 26 30 32
34 40 44 50 60
64 80 100</p> <p>③ Contact Plating:</p> <p style="margin-left: 20px;">G0:Gold flash S0:Selective
G1:3U" Gold S1:Selective 3u"
G2:5u" Gold S2:Selective 5u"
G3:10u "Gold S3:Selective 10u"
G4:15u" Gold S4:Selective 15u"
G5:30u" Gold S5:Selective 30u"
SN: Tin</p> | <p>④ Color Insulator</p> <p style="margin-left: 20px;">B:Black
U:Blue
W:White</p> <p>⑤ Insulator Material</p> <p style="margin-left: 20px;">B:PA6T
C:LCP
E:PA9T</p> <p>⑥ Packing</p> <p style="margin-left: 20px;">A:Tray
B:Bag
T:Tube
U:Tube+CAP
R:Tape&Reel
W:Tape&Reel+CAP</p> |
|---|---|



Unless Otherwise specified tolerance	
X. ±0.35	X.XX: ±0.20
X.X: ±0.25	X.XXX: ±0.15
SCALE: As Shown	UNIT: mm
DRAW YG ZHONG	DATE 01/05/2016
CHECK BobYang	DATE 01/05/2016

AsA Electronic Co.
 WWW.AsA-Elec.com
 Tel : (+98) 21 66 73 56 82 Mob : (+98) 912 03 161 02

Telegram:09396994470

REV	DESCRIPTION	DATE		DRAWING NO: BHAS01-XXXXX
				PRODUCT NO: BHAS01-XXXXX